

Rev.	Sym.	Q'TY	ICN/ECN NO	Changed by	Date
V1.0			the first release		

COMPANY CONFIDENTIAL

A

A

B

B

C

C

D

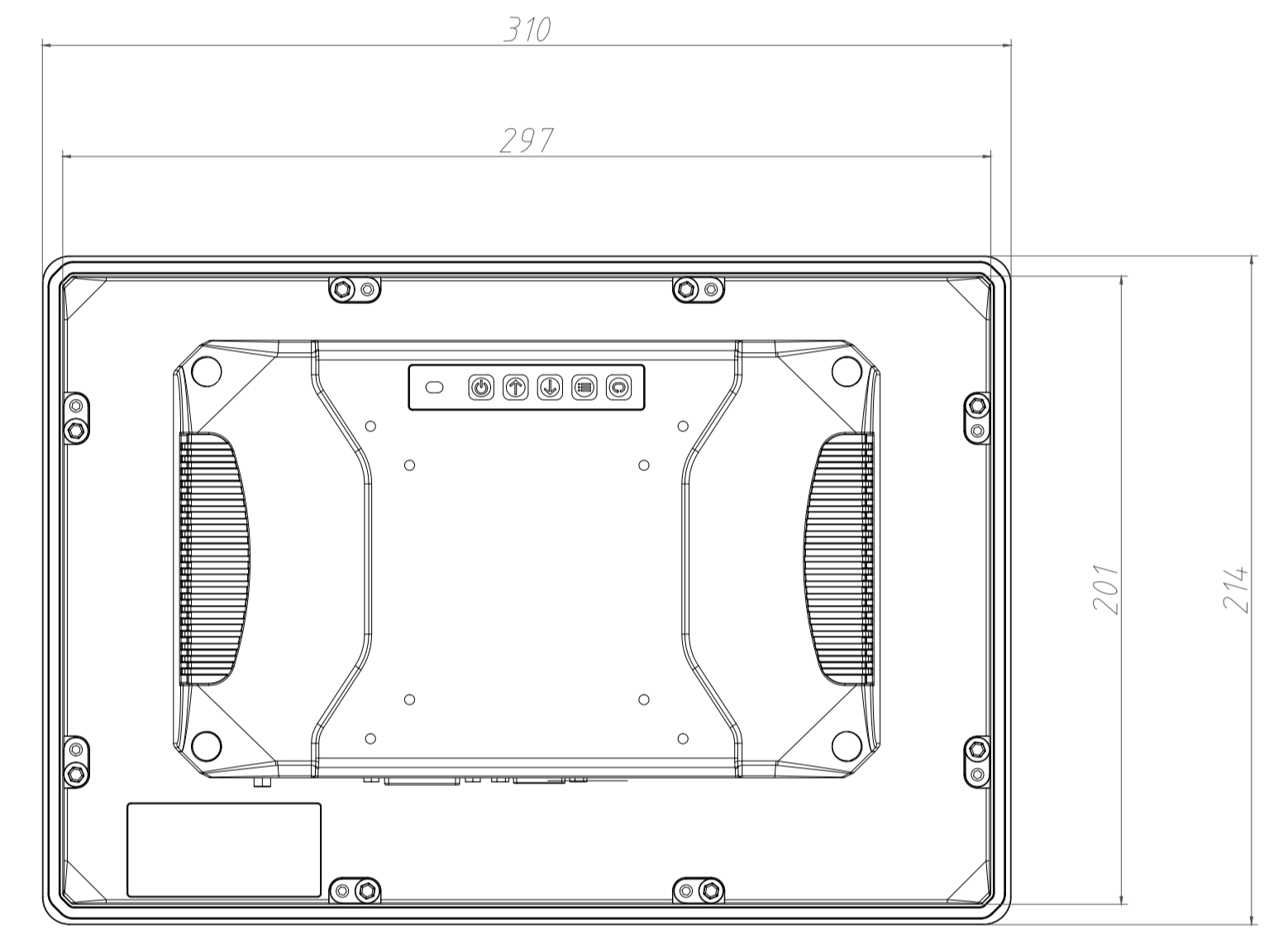
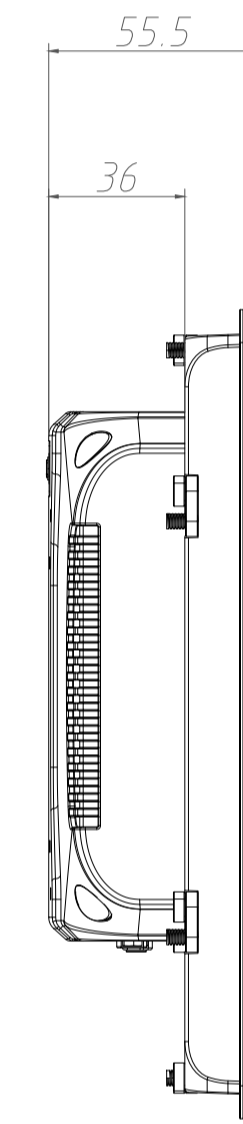
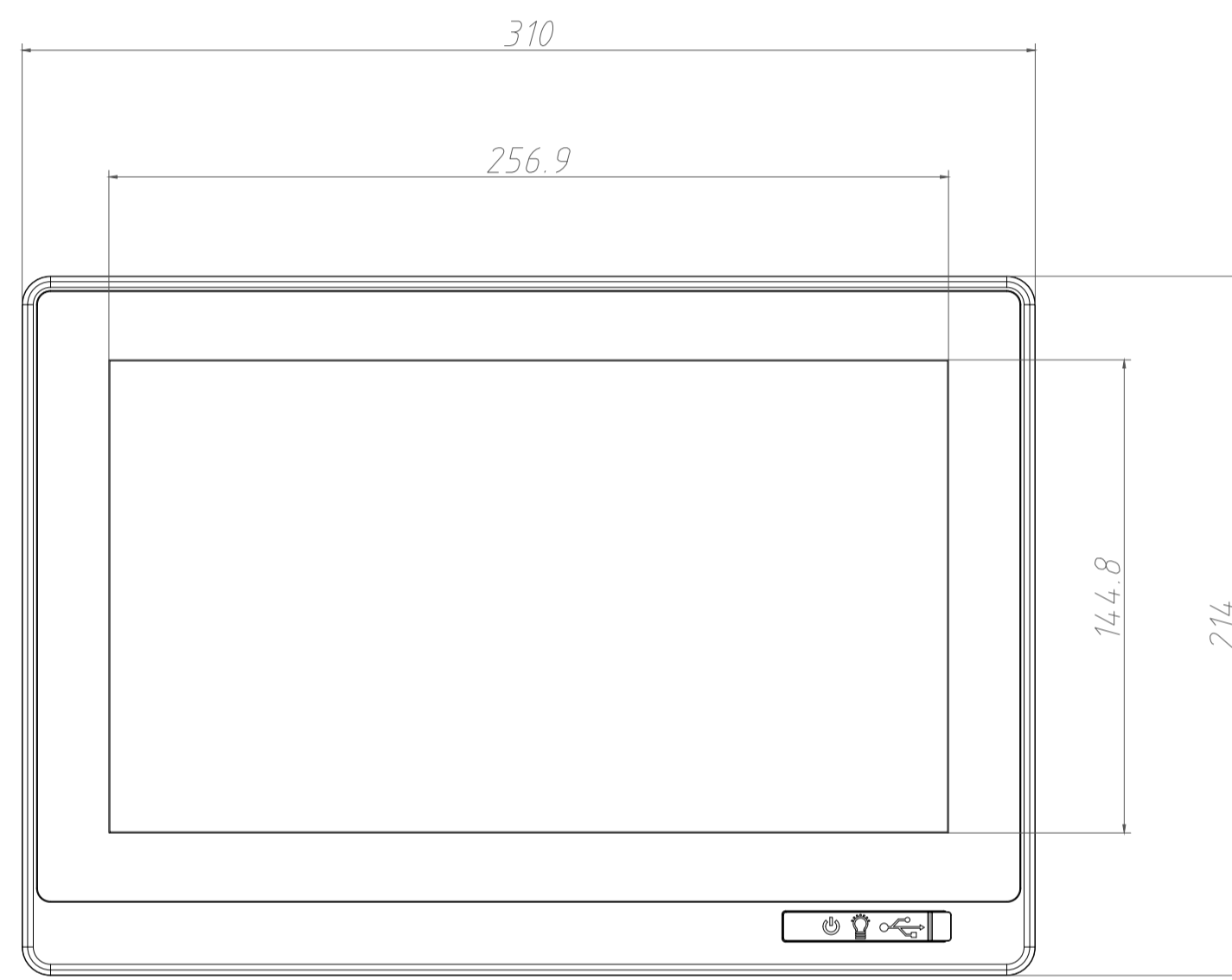
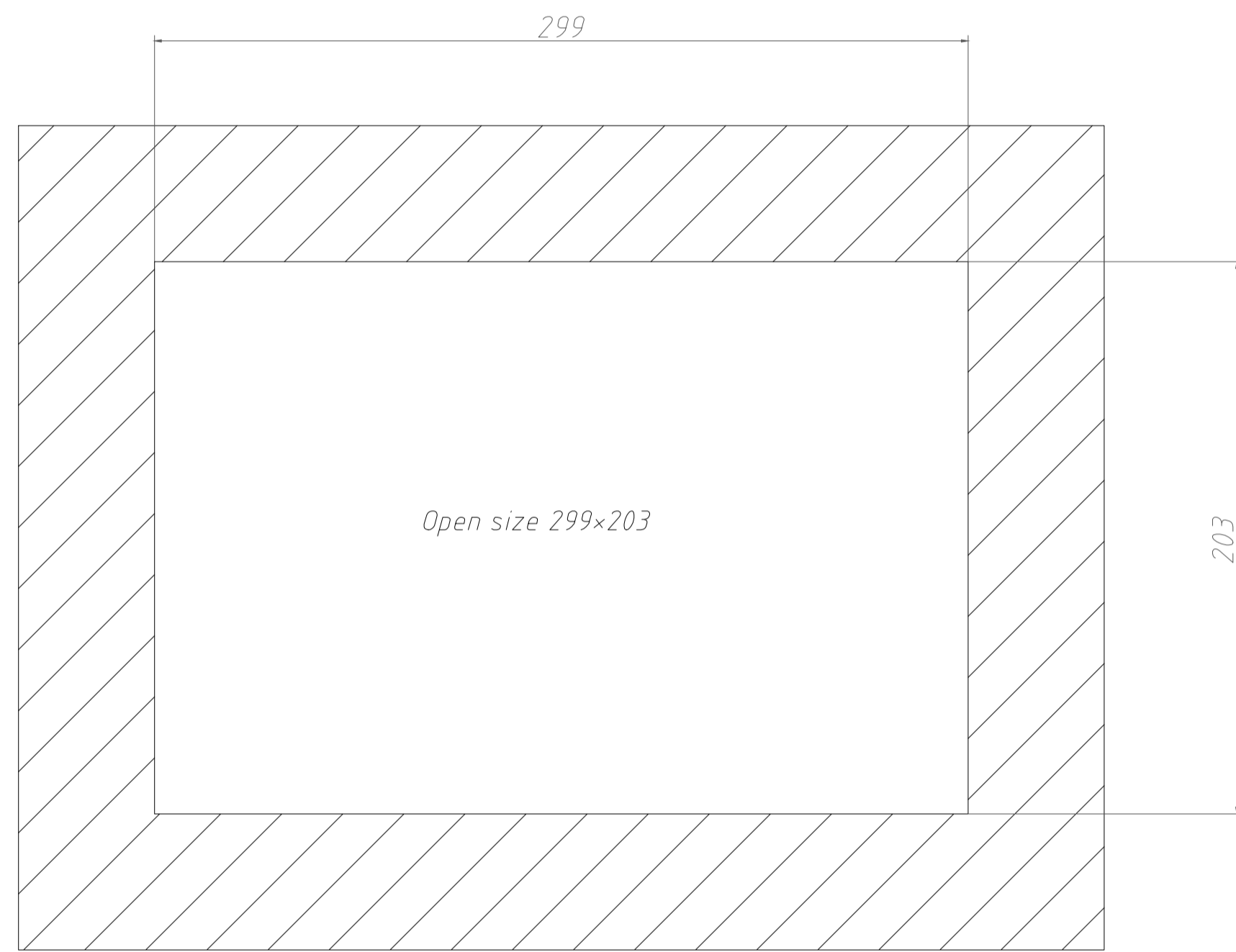
D

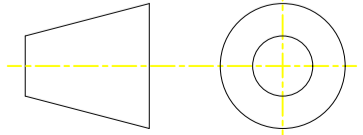
E

E

F

F



 First angle system	Design		Project Name :	Part Name			
	Check			Part No			
	Approve			Material	See Notes	Size: A0	Scale: 1:1
				Process	See Notes	Unit: mm	Sheet: 1 of 1